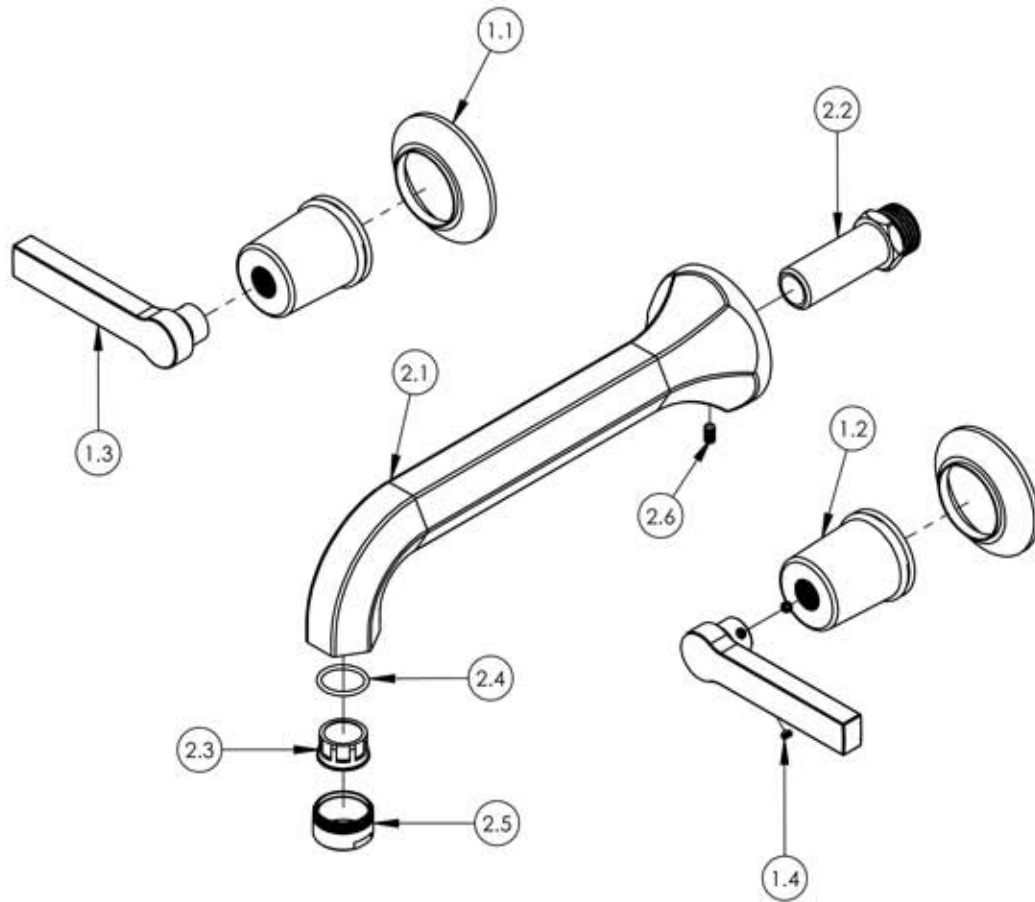


A

B

C

D



ITEM NO.	PART NUMBER	DESCRIPTION	QTY.
1	3-133/00	LEVER HANDLE, HEX MODERN, 501 SERIES	2
1.1	10921/00	ESCUTCHEON, TRANSITIONAL	1
1.2	10922/00	HUB, FOR HEX TRANSITIONAL	1
1.3	11036/00	HANDLE LEVER, CONTEMPORARY 16PT	1
1.4	92163	SET SCREW, CONE PT 8-32 X 1/8"L	2
2	3-146/00	SPOUT, WALL LAV, 500/501 SERIES	1
2.1	10427/00	SPOUT WALL, HEX	1
2.2	10432	NIPPLE, WALL SPOUT	1
2.3	30031	AERATOR DROP-IN INSERT 1.5 GPM	1
2.4	90017	O-RING, 11/16"ID X 13/16"OD X 1/16"THK, AS-568-017	1
2.5	10784/00	HOUSING, AERATOR 15/16"-27	1
2.6	92010	SET SCREW, CUP POINT 8-32UNC 5/16" LENGTH SS	1

E

ZONE	REV.	DESCRIPTION	DATE	APPROVED
REVISIONS				
1261 LOGAN AVENUE COSTA MESA, CALIFORNIA 92626 PHONE: 714.361.4800 FAX: 714.617.3120		PHYLIRICH® Defining Luxury Since 1959	PROPRIETARY AND CONFIDENTIAL THE INFORMATION CONTAINED IN THIS DRAWING IS THE SOLE PROPERTY OF R3S MANUFACTURING. ANY REPRODUCTION IN PART OR AS A WHOLE WITHOUT THE WRITTEN PERMISSION OF R3S MANUFACTURING IS PROHIBITED.	

-	-	INTERPRET GEOMETRIC DIMENSIONING & TOLERANCING IN ACCORDANCE WITH ASME Y14.5-2009 & ASME Y14.41-2003 STANDARDS, UNLESS OTHERWISE SPECIFIED. DIMENSIONS ARE IN INCHES. TOLERANCES ARE:			WALL LAVATORY TRIM SET, LEVER HANDLES, HEX MODERN SERIES				
-	-	FRACTIONS ±1/64"	DECIMALS X.X: ±.1 X.XX: ±.01 X.XXX: ±.005	ANGULAR ±5°				SIZE A	ASM/PRT NO. 501-12
NEXT ASSY		USED ON		NAME	DATE	SCALE: 1:3		WEIGHT: lbs.	SHEET 1 OF 2
APPLICATION		MATERIAL		DRAWN	LLO	11/4/2015			
FINISH		DO NOT SCALE DRAWING		CHECKED	GRE				

5

4

3

2

1